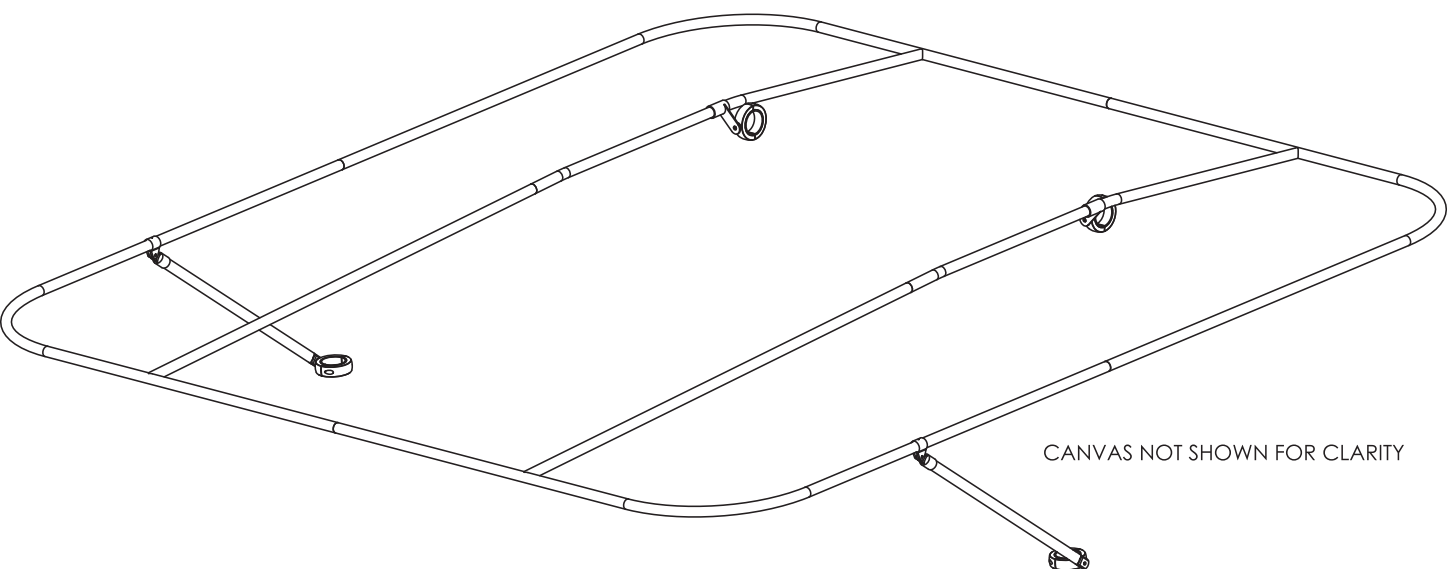




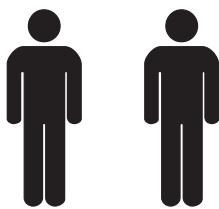
ECLIPSE BIMINI

INSTALLATION GUIDE



**DO NOT TRAILER YOUR BOAT WITH BIMINI CANOPY ATTACHED!
DRIVING SPEEDS MAY CAUSE EXCESSIVE STRAIN AND FAILING TO REMOVE IT BEFORE ENTERING
THE ROADWAYS WILL VOID YOUR WARRANTY.**

INSTALLATION SUPPORT

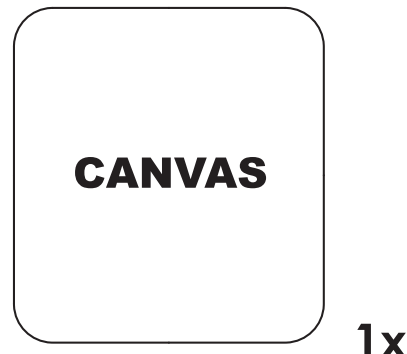
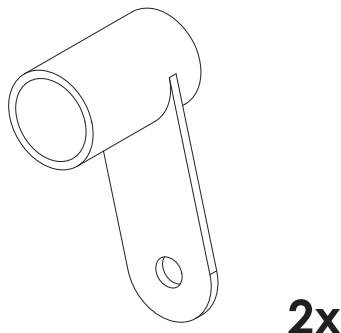
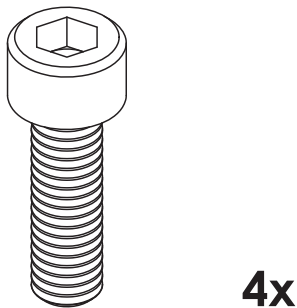
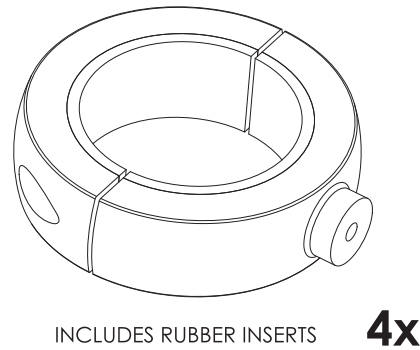
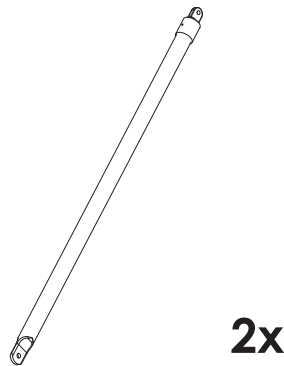
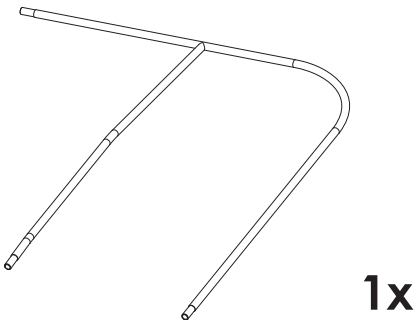
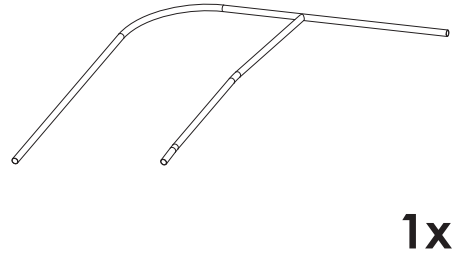
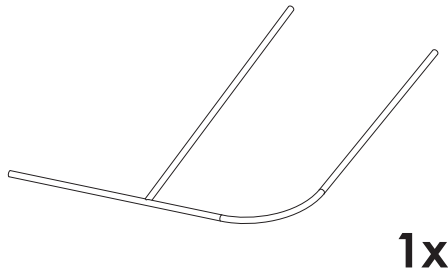
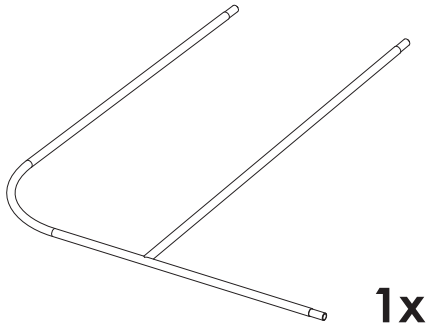




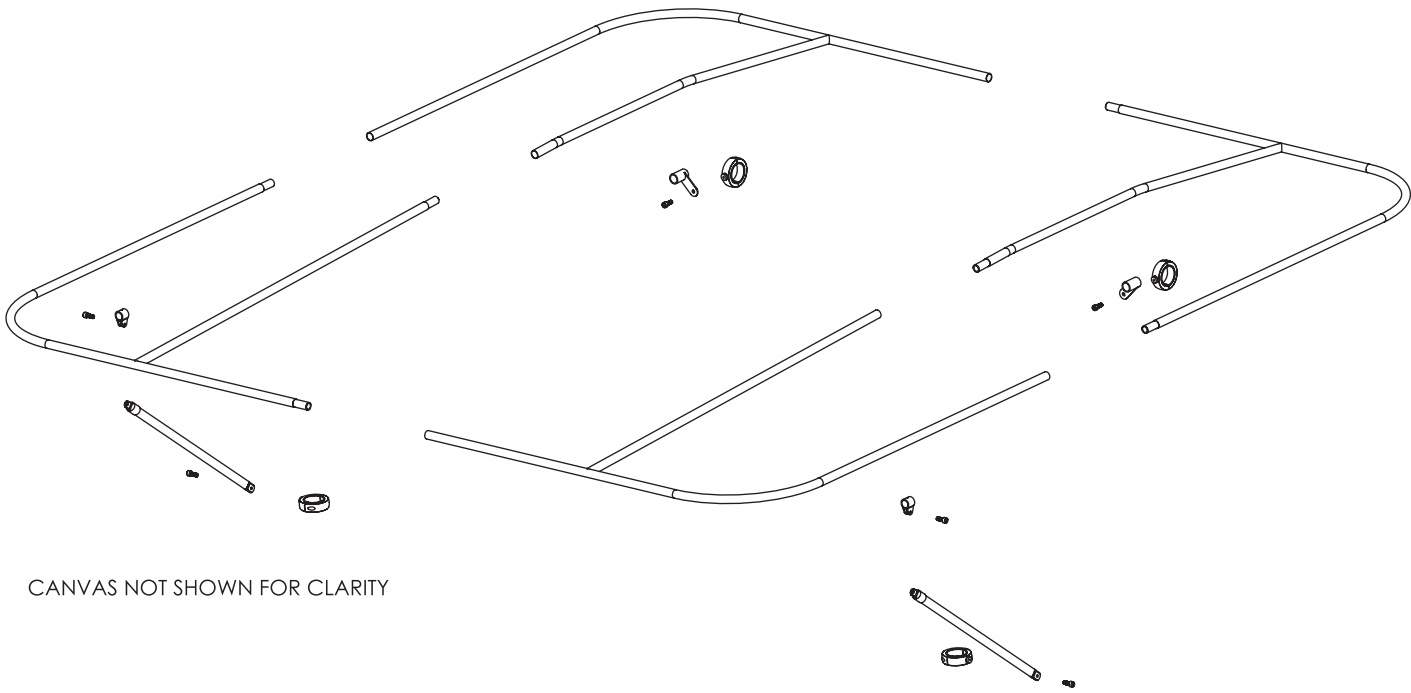
WARNING

- * BE SURE TO TIGHTEN ALL FASTENERS AND CONNECTIONS PRIOR TO EVERY USE.
- * DO NOT USE THIS PRODUCT AT SPEEDS OVER 50 MPH
- * DO NO TRAILER YOUR BOAT WITH BIMINI CANOPY ATTACHED! DRIVING SPEEDS MAY CAUSE EXCESSIVE STRAIN AND FAILING TO REMOVE IT BEFORE ENTERING THE ROADWAYS WILL VOID YOUR WARRANTY.

PARTS LIST

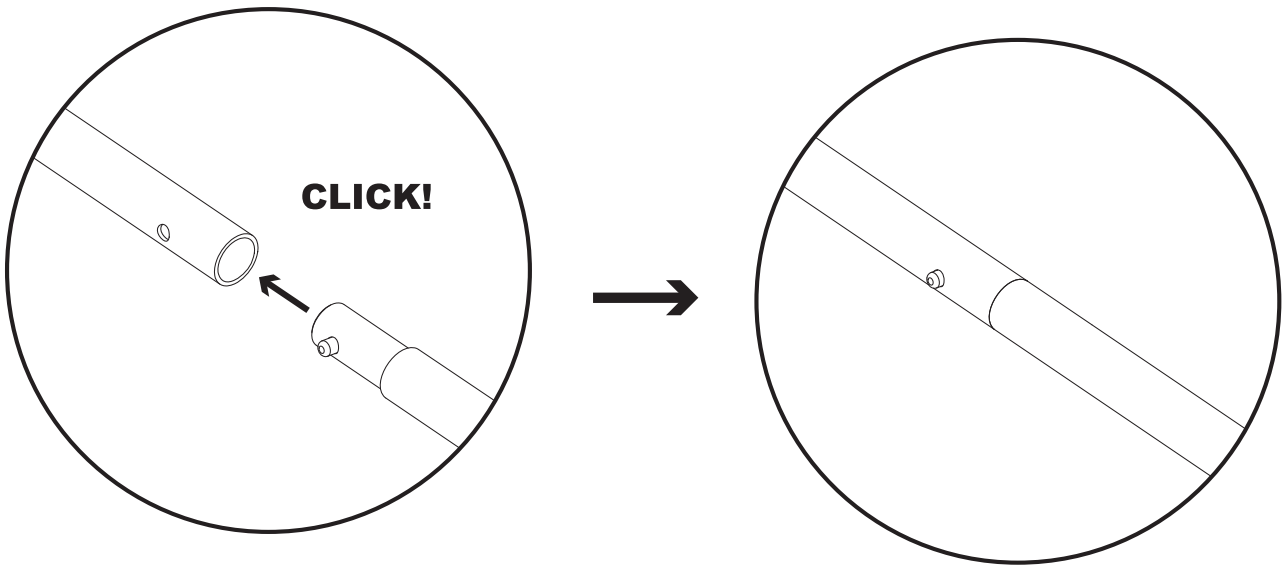
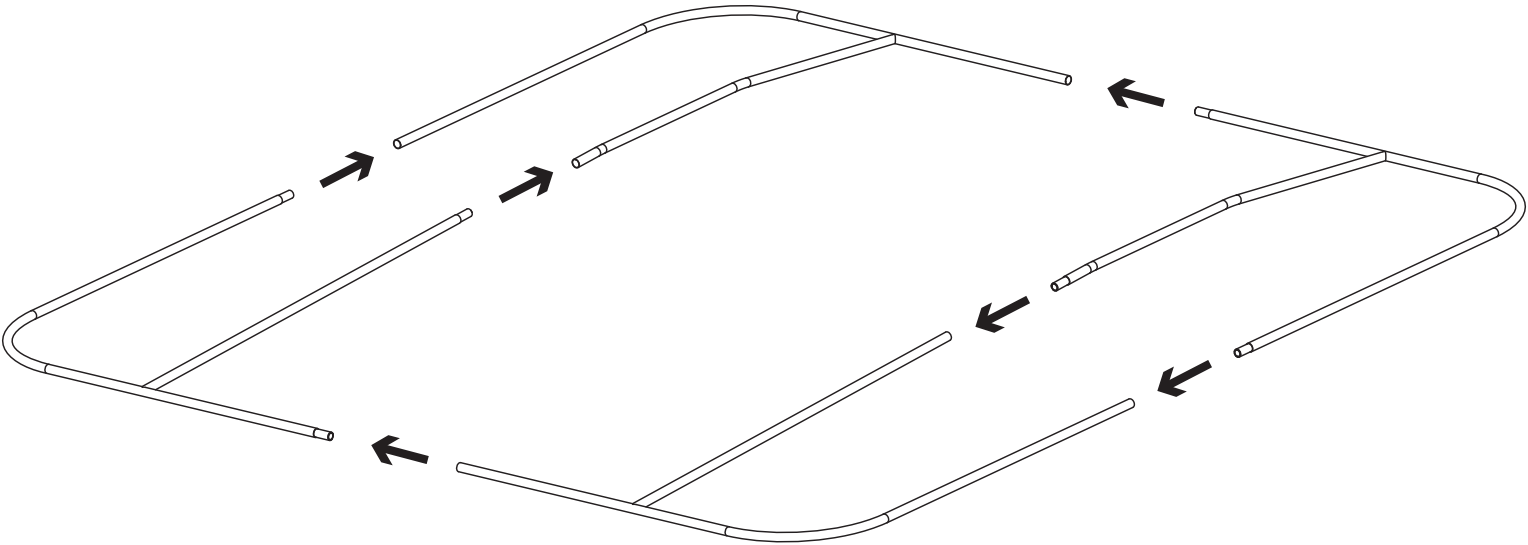


EXPLODED OVERVIEW



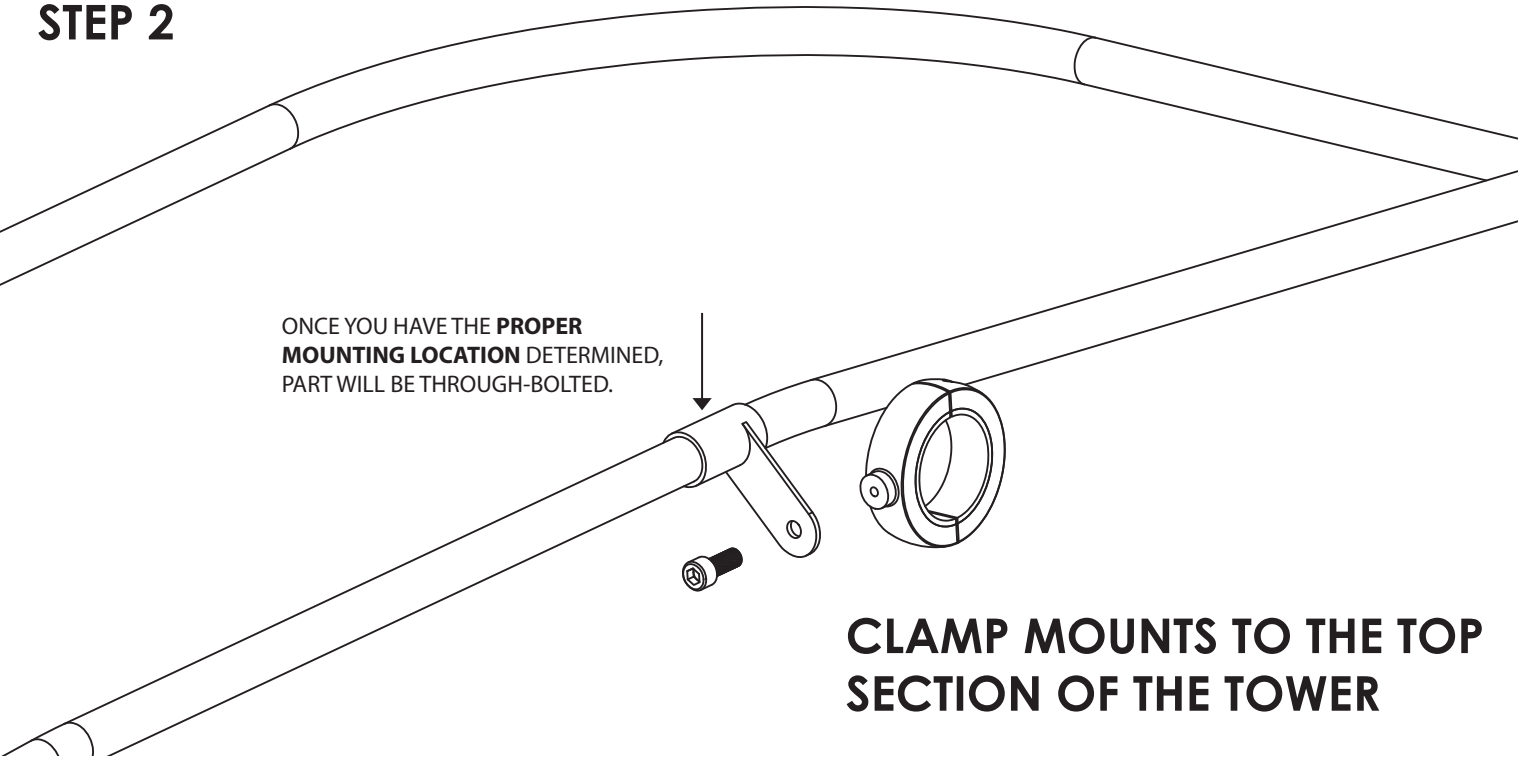
CANVAS NOT SHOWN FOR CLARITY

STEP 1



STEP 2

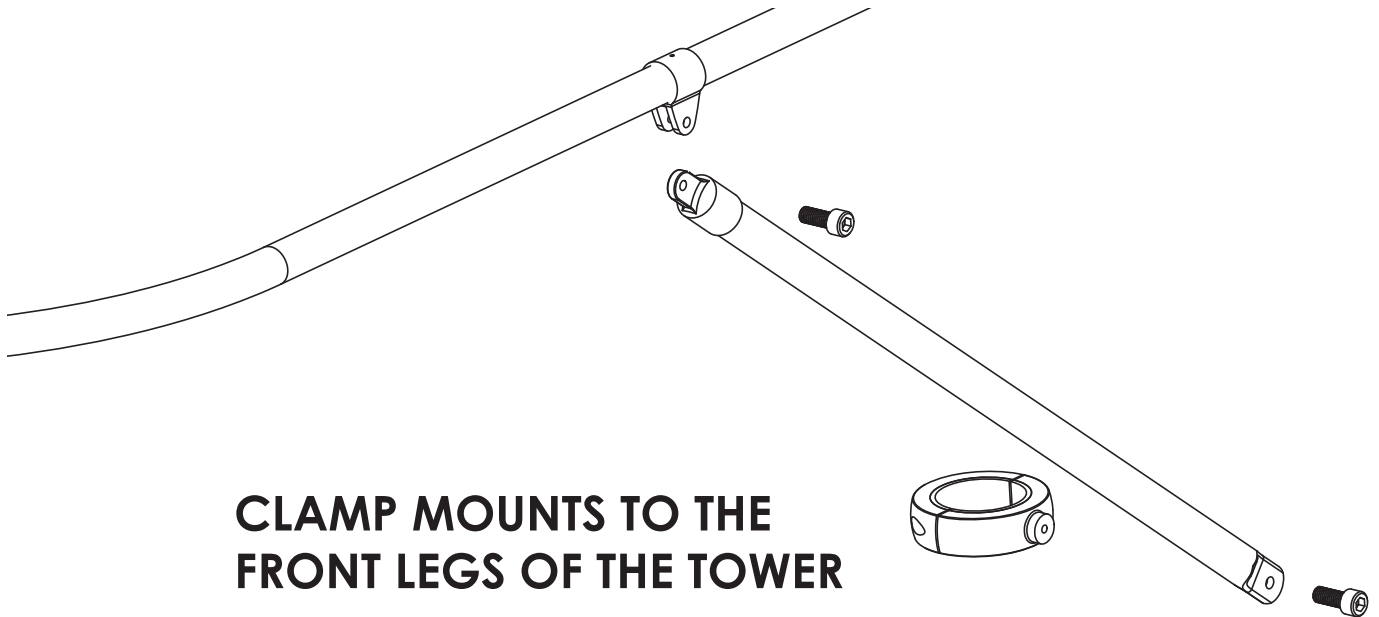
ONCE YOU HAVE THE **PROPER MOUNTING LOCATION** DETERMINED, PART WILL BE THROUGH-BOLTED.



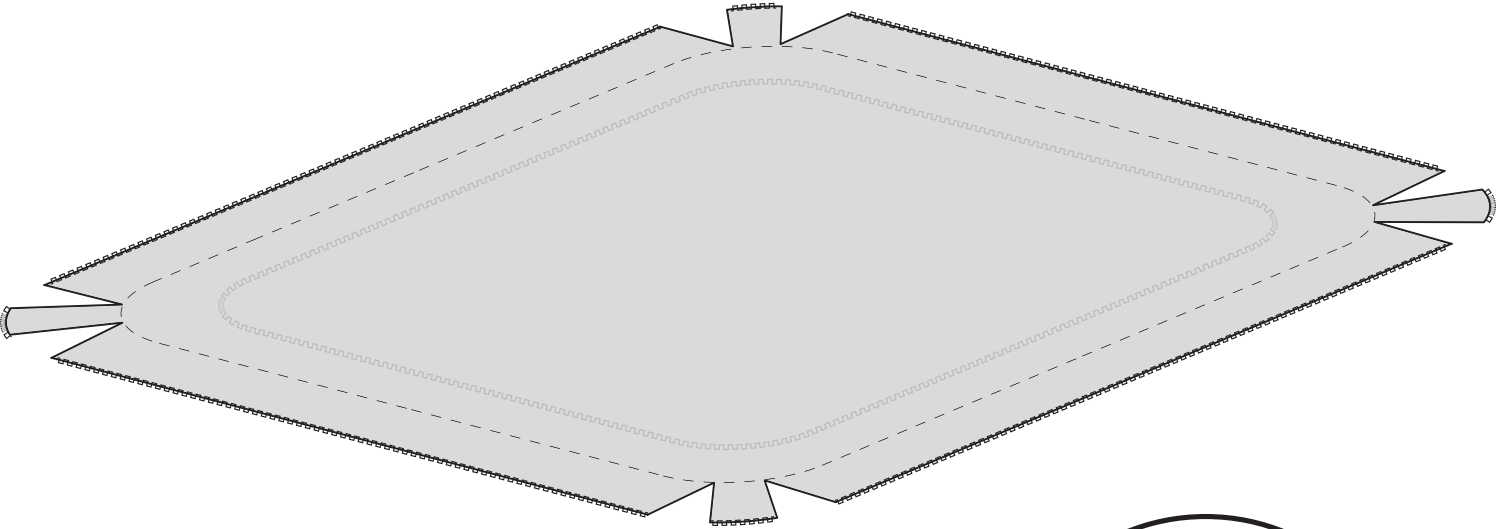
CLAMP MOUNTS TO THE TOP SECTION OF THE TOWER

STEP 3

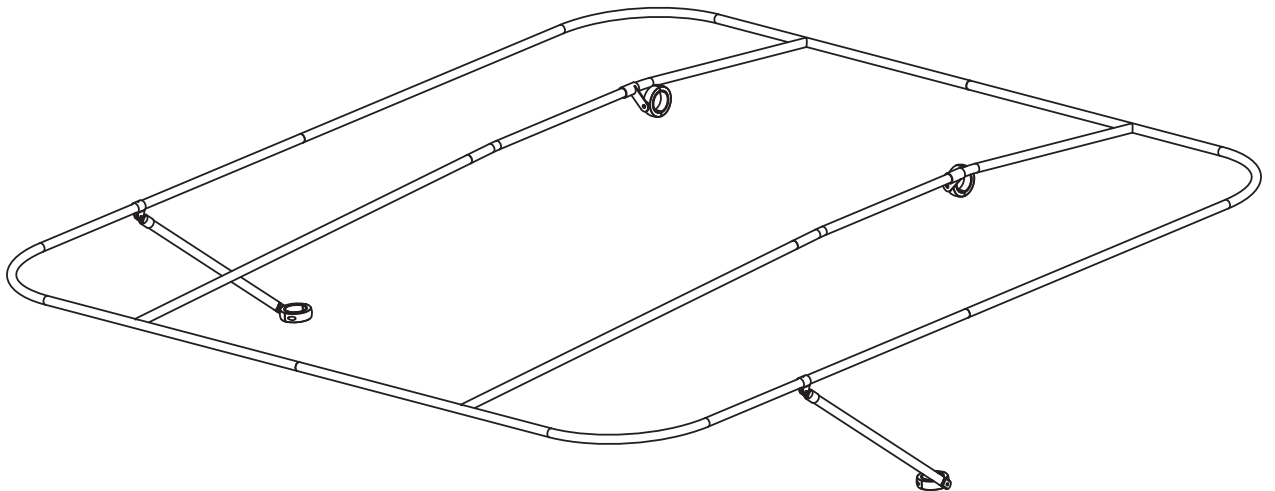
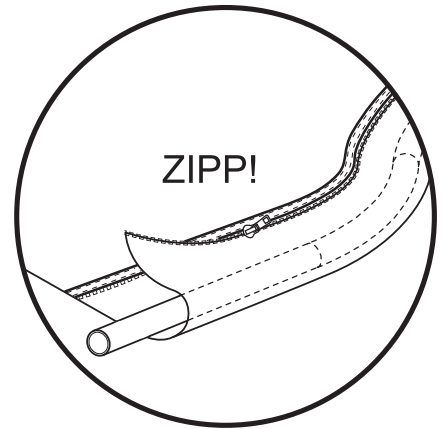
CLAMP MOUNTS TO THE FRONT LEGS OF THE TOWER



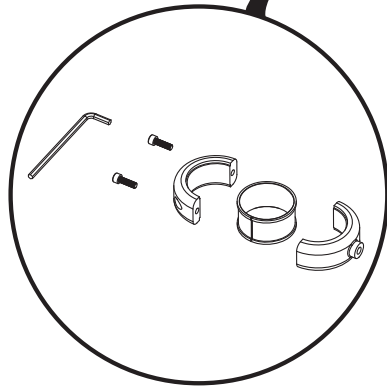
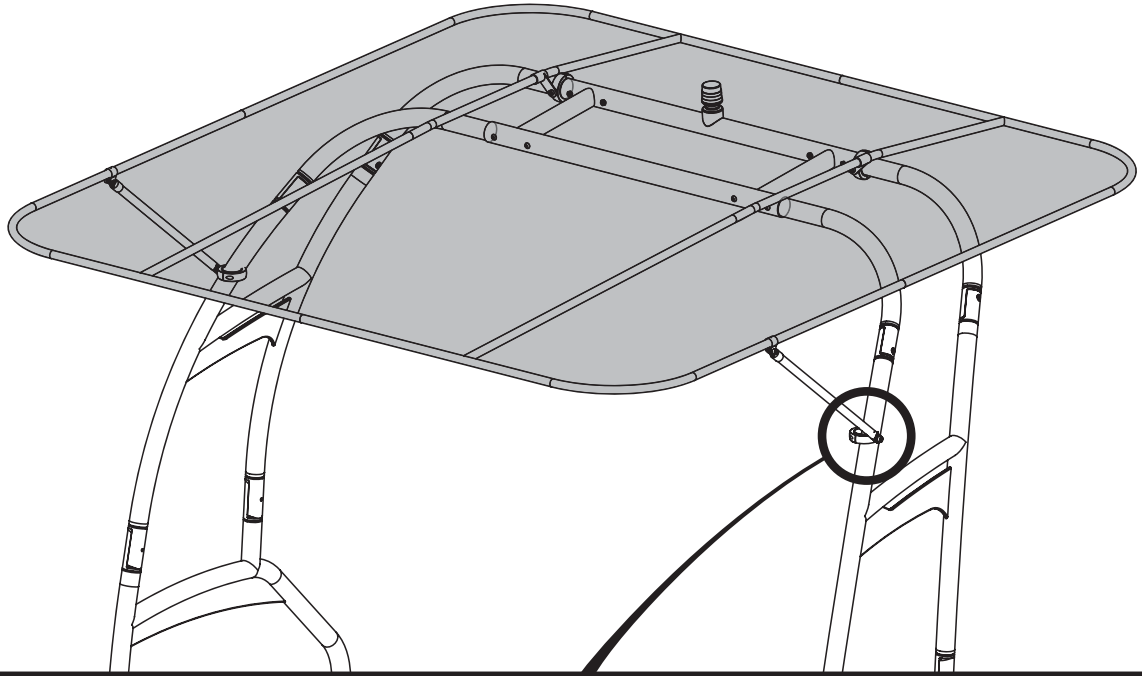
STEP 4



CANVAS



STEP 5



DO NOT TRAILER YOUR BOAT WITH BIMINI CANOPY ATTACHED!
DRIVING SPEEDS MAY CAUSE EXCESSIVE STRAIN AND FAILING TO REMOVE
IT BEFORE ENTERING THE ROADWAYS WILL VOID YOUR WARRANTY.



WWW.AERIALWAKEBOARDING.COM