

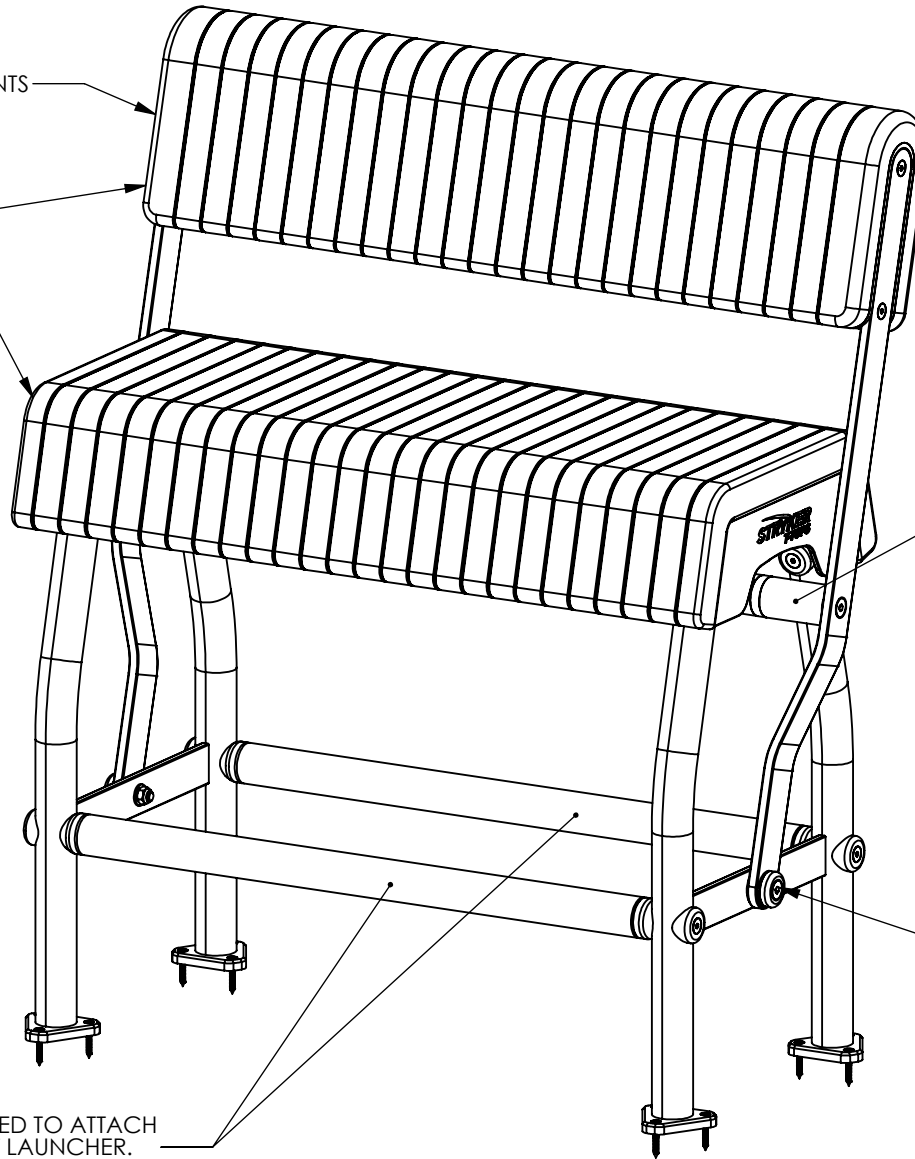
BACK REST CAN FLIP FROM ONE SIDE TO THE OTHER DEPENDING ON THE USERS REQUIREMENTS

VINYL UPHOLSTERED CUSHIONS

THIS BAR CONTROLS THE MOVEMENT OF THE BACK REST. THE RUBBER CUSHION PREVENTS DAMAGE.

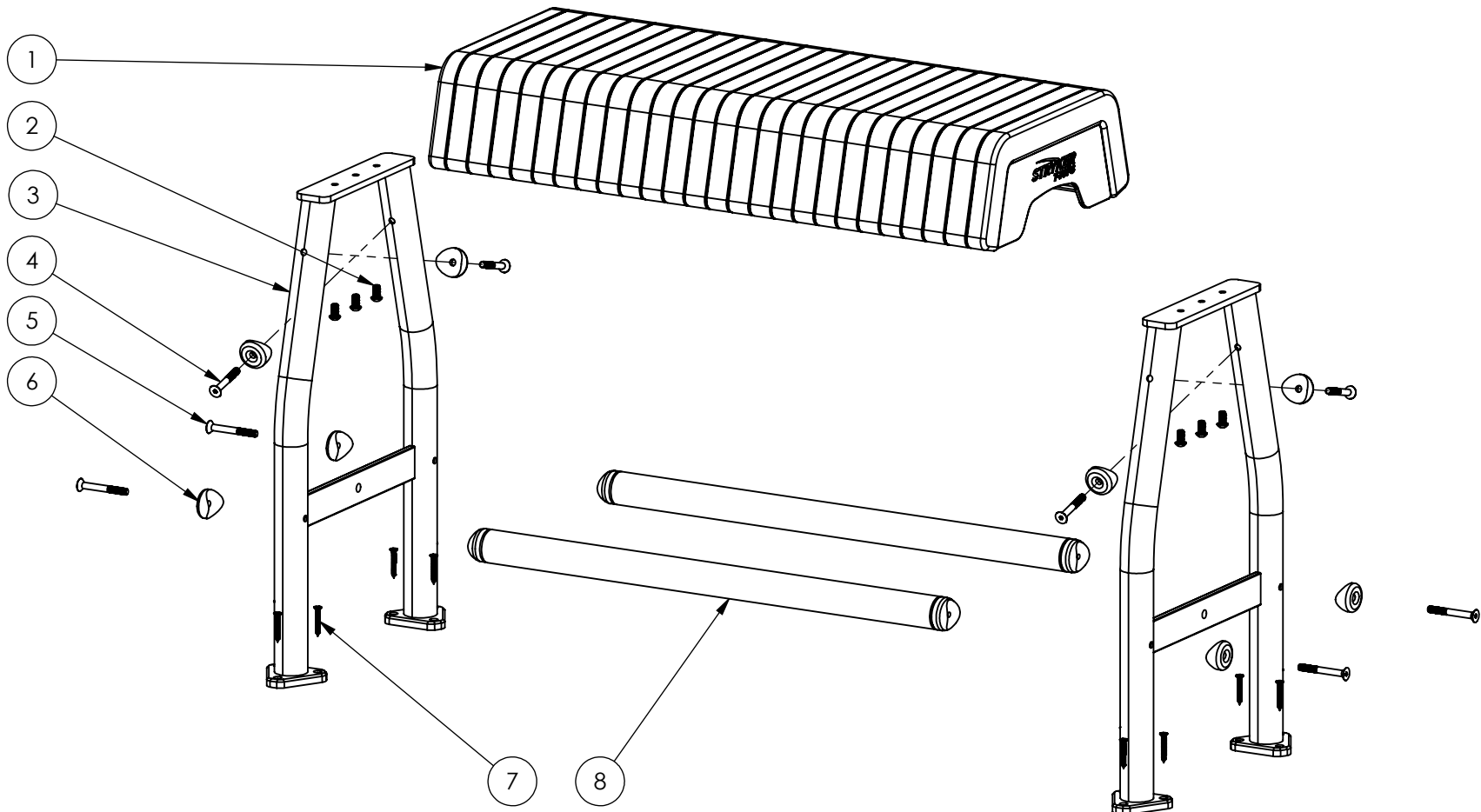
BACK REST PIVOTS FROM THIS POINT

FOOT RESTS MAY ALSO BE USED TO ATTACH ROD HOLDERS OR A ROCKET LAUNCHER.



## SWITCHBACK LEANING POST (LP200)

ITEM NO.	CODE	PROCESS	MATERIAL	FINISH	Seat Assembly/QTY.
1	LP_2_Seat_Assembly_150710-0	SEE SUB ASSEMBLY	SEE SUB ASSEMBLY	SEE SUB ASSEMBLY	1
2	SBHCSCREW 0.375-16x0.75-HX-S	STOCK ITEM	STAINLESS STEEL	STOCK	6
3	Leaning_Post_2_Leg_Assembly_150710-0	SEE SUB ASSEMBLY	SEE SUB ASSEMBLY	SEE SUB ASSEMBLY	2
4	SCHCSCREW 0.375-16x2.75x1.25-HX-S	STOCK ITEM	STAINLESS STEEL	STOCK	4
5	SCHCSCREW 0.375-16x3.25x1.25-HX-S	STOCK ITEM	STAINLESS STEEL	STOCK	4
6	Screw_Seat_240610-0	LATHE	6061 ALLOY	POLISH & ANODIZE	8
7	FLATCKT 0.25-14-type IA-AB-1.813-S	STOCK ITEM	STAINLESS STEEL	STOCK	12
8	Foot_Rest_Assembly_240610-0	SEE SUB ASSEMBLY	SEE SUB ASSEMBLY	SEE SUB ASSEMBLY	2



ITEM NO.	CODE	PROCESS	MATERIAL	FINISH	Back Rest Assembly/QTY.
1	Side_Support-160710-0	CUT TO LENGTH, BEND & DRILL	6061 ALLOY	POLISH & ANODIZE	2
2	SCHCSCREW 0.375-16x1.25x1.25-HX-S	STOCK ITEM	STAINLESS STEEL	STOCK	4
3	SCHCSCREW 0.5-13x1.5x1.5-HX-S	STOCK ITEM	STAINLESS STEEL	STOCK	2
4	SCHCSCREW 0.5-13x2.25x2.25-HX-S	STOCK ITEM	STAINLESS STEEL	STOCK	2
5	Pivot Seat 240610-0	LATHE	6061 ALLOY	POLISH & ANODIZE	2
6	Pivot Washer-160710-0	LATHE	NYLON (BLACK)	SMOOTH	4
7	Pivot_Bushing-160710-0	CUT TO LENGTH	NYLON (BLACK)	SMOOTH	2
8	Rubber Rest-160710-0	CUT TO LENGTH	FIRM RUBBER	SMOOTH	2
9	LP_2_Back_Rest_Bar_Assembly_190710-0	SEE SUB ASSEMBLY	SEE SUB ASSEMBLY	SEE SUB ASSEMBLY	1
10	LP_2_Back_Rest_Assembly_190710-0	SEE SUB ASSEMBLY	SEE SUB ASSEMBLY	SEE SUB ASSEMBLY	1
11	Preferred Narrow FW 0.5	STOCK ITEM	STAINLESS STEEL	STOCK	2
12	0.5 Inch Nylon Lock Nut	STOCK ITEM	STAINLESS STEEL	STOCK	2

